

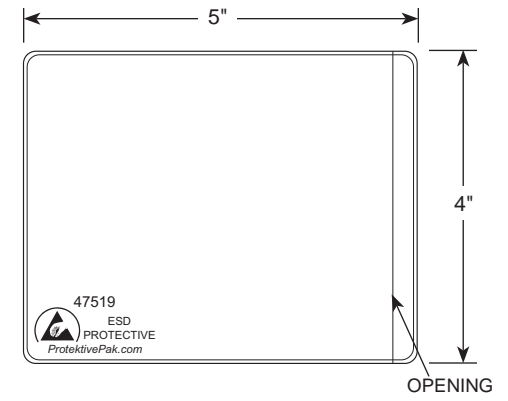
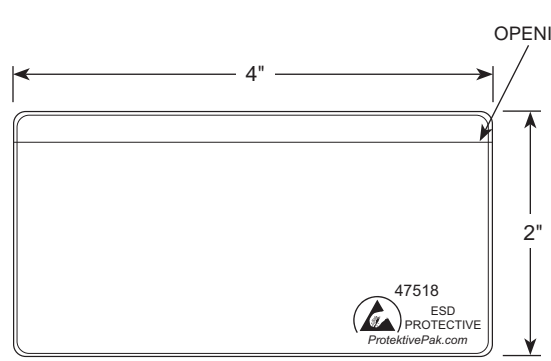
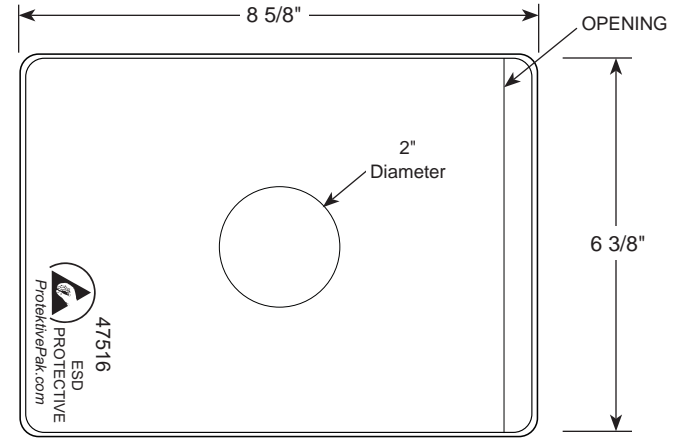
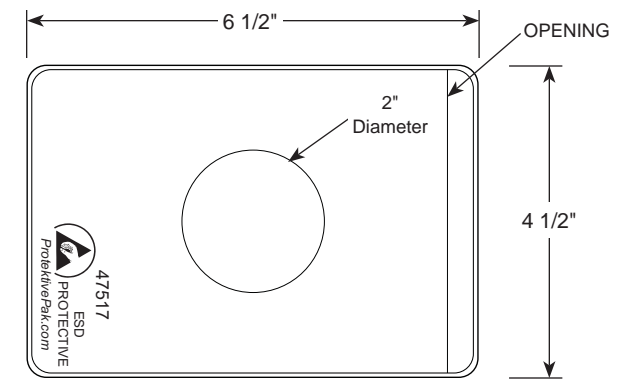
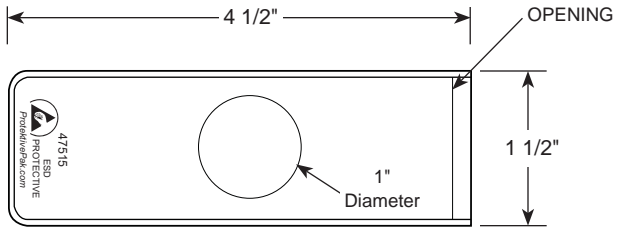


FEATURES

- Static Dissipative clear polyvinylchloride (PVC) film, .012" thick
- "Thumb Hole", through top side only, for easy and convenient removal of documents
- Transparent material allows for barcode scanning
- Full adhesive back with peel-off liner
- Imprinted with ESD Protective Symbol & part number
- Made in America

ELECTRICAL PROPERTIES

- RTT: 1 x 10E9 to 3 x 10E10 ohms at 50% RH per ANSI/ESD S4.1



Item #	Description	Size	Thumb Hole	Packaging
47515	Dissipative Document Holder	1 1/2" x 4 1/2"	Yes	25PK
47516	Dissipative Document Holder	6 3/8" x 8 5/8"	Yes	25PK
47517	Dissipative Document Holder	4 1/2" x 6 1/2"	Yes	25PK
47518	Dissipative Document Holder	4" x 2"	No	50PK
47519	Dissipative Document Holder	4" x 5"	No	50PK

"It should be understood that any object, item, material or person could be a source of static electricity in the work environment. Removal of unnecessary nonconductors, replacing nonconductive materials with dissipative or conductive materials and grounding all conductors are the principle method of controlling static electricity in the workplace, regardless of the activity." [ESD Handbook ESD TR20.20-2008 section 2.4 Source of Static Electricity]

Tolerances:
± 10% on the material thickness
± 1/16" on all dimensions

Note: "The drawings are not drawn to same scale"

DISSIPATIVE DOCUMENT HOLDER W/ ADHESIVE BACK		
PROTEKTIVE PAK 13520 MONTE VISTA AVENUE, CHINO, CA 91710 PHONE (909) 627-2578, FAX (909) 363-7331 ProtektivePak.com	DRAWING NUMBER 47515	DATE September 2009

